

Kentruck

Hand pushed stacker B69



- Excellent manoeuvrability
- Silent
- Resistant to wear.
- Stable
- Variable lifting and lowering of goods

B69, THE SILENT AND COMPACT STACKER FOR THE TIGHTEST OF AREAS

Kentruck's hand pushed stacker type B69, is designed for lifting and transportation of standard pallets.

B69 has, as standard, 5 different lift heights from 1500 mm to 3350 mm. The lifting capacity at a centre-of-gravity distance of 600 mm is: 1000 kg up to 2750 mm and 800 kg over that.

The stacker is very stable and has an excellent manoeuvrability due to small turning radius and low weight - unladen.

Option:

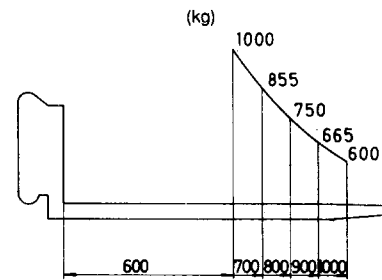
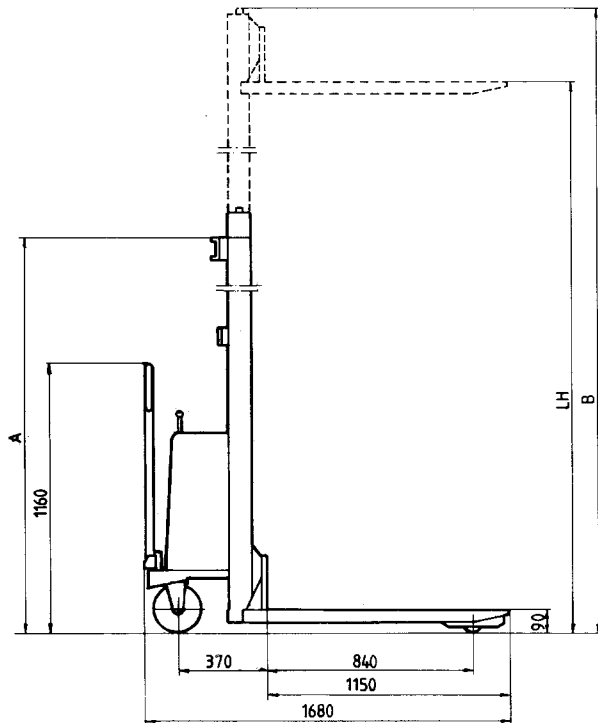
B69 is, as standard, available in 5 alternative lift heights (see table). Other lift heights and special types of forks are delivered on request. The stacker is also available in straddle version and with different wheel models.

B69 is equipped with a new hydraulic pump package, which offers a silent and compact stacker with a unique valve design for lowering and lifting of the goods.

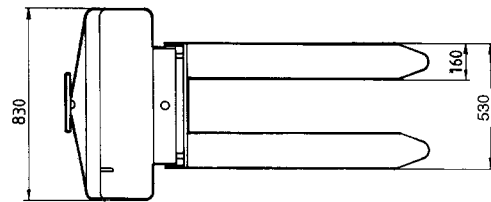
Parking brake and weighing device are available (option).

A safety valve, preventing overload, as well as a safety device for unintentional lowering of the goods are included in the standard version.

DIMENSION SKETCH - TECHNICAL DATA



Load diagram



Lift height LH (mm)	Measure A (mm)	Measure B (mm)
1500	1935	—
2350	1650	2780
2750	1850	3180
3150	2050	3580
3350	2150	3780

- Capacity (up to 2750mm)** 1000 kgs at 600 mm centre
- Turning radius:** 1625 mm
- Lifting velocity:** 0.12 m/s at full load
- Motor (battery operated):** 12 V/2000 W
- Battery (standard):** 12V/140Ah 81 Ah or 71 Ah
- Steering wheels:** Standard: Nylon - Option: Polyurethane, rubber, steel
- Fork wheels:** Standard: Nylon-O inn: Polyurethane or steel
- Dimensions, wheels:** Steering wheels: dia. 200x 50
Fork wheels: dia. 82 mm
- Aisle width:** 2000 mm (at a loading length of 1200 mm and 200 mm safety limit)
- Total weight:** 260 kg excl. battery - for version with a lift height of 1500 mm

We reserve the right to improvements without prior notice.

Manufactured by:

Kentruck AB

SE-668 32 ED, SWEDEN

Tel. +46-534 625 00, Fax. +46-534 625 10

E-Mail: office kentruck.se

Retailer: