

Kentruck

MINI STACKER

- Excellent manoeuvrability
- Light and compact
- Lifts to 850 and 1200 mm
- 1/2 European pallet handling



Application

- Ideal as portable work positioner or assemble station, when needed required a plastic storage box can be installed under worktable.
- To handle 1/2 European pallet.
- As a trolley in storerooms, warehouse, factories, hospitals, offices etc.

Characteristics

- Very robust, easy to use.
- Fitted with rubber steering wheels.
- 1/2 European pallet handling with polyurethane rollers fitted to the legs.
- Controlled lowering

Hydraulic

- Closed hydraulic system, low maintenance costs.



Technical data

Capacity

HL 400

400 kgS

HLE 400

400 kgS

Lift Height

850 & 1200 mm

1200 mm

Lift Stroke

27 mm/pump stroke

0,07 m/s with load
0,1 m/s without load

Fork wheels/rolls Rubber/Polyurethane

150/82 mm

150/82 mm

Steering wheels, material

Rubber

Rubber

Total weight

67,5/74 kg

78 kg/ 98 kg incl. battery

Platform Size

650 x 550 mm

650 x 550 mm

Overall Length x Width

1015 x 580 mm

1015 x 580 mm

Voltage

-

12 V

Battery

-

75 Ah

Hydraulic motor

-

0,3 kW

Noise Level

-

65 dBa

Parking brake

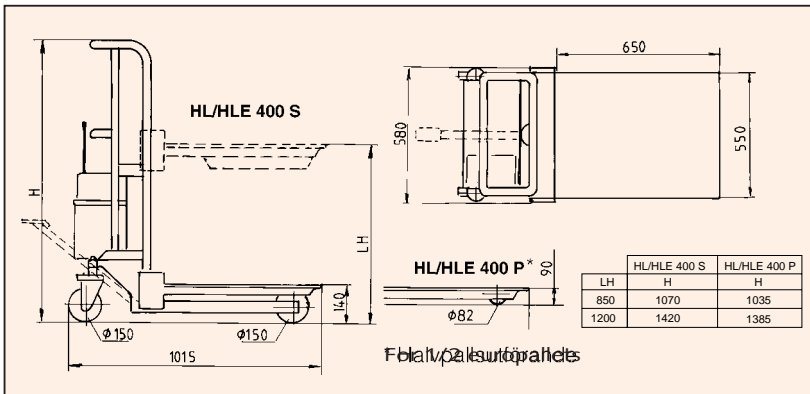
Yes

Yes

Accessories

Plastic box

Plastic box



Manufacturer:

Kentruck AB

SE-668 32 Ed, Sweden

Tel: +46 (0)534 625 00

Fax +46 (0)534 625 10

E-mail office@kentruck.se

Distributor:

